



ALTECH JS-084 Outdoor Receiver Manual

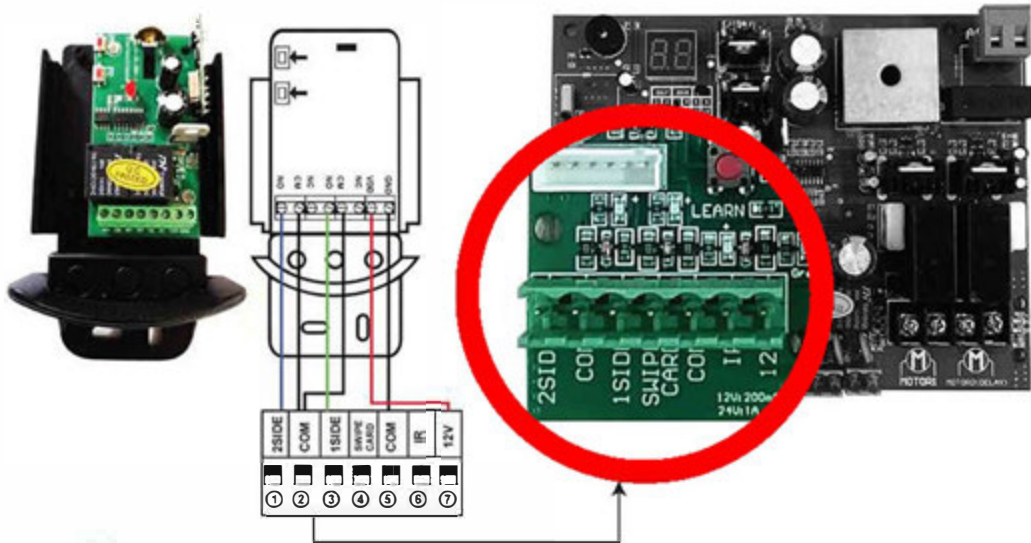


FOR ALL SWING GATE OPENERS

HOW TO CONNECT AN OUTDOOR RECEIVER ON EG-22A

All Swing Gate Openers (SW-01, SW-01A, SW-02, SW-02L, SW-02SL, SW-03, SW-03A, SW-03L, SW-04)

- 1.) Connect the blue wire from the **NO** socket in the outdoor receiver to the **2 SIDE** socket in the **EG-22A** control board. (1st socket on the control board)
- 2.) Likewise, connect the green wire from the **CM** socket in the outdoor receiver to the **1 SIDE** socket in the **EG-22A** control board. (3rd socket on the control board)
- 3.) Then, connect the red wire from the **VDD** socket in the outdoor receiver to the second **12V** socket in the **EG-22A** control board. (7th socket on the control board)
- 4.) Lastly, connect the the three black wires from the the two **CM** sockets and **GND** socket in the outdoor receiver (as shown in the diagram below) to the the two **COM** sockets and **12V** socket in the **EG-22A** control board. (2nd & 5th sockets on the control board)



- 12V
- COM
- 1 SIDE
- 2 SIDE

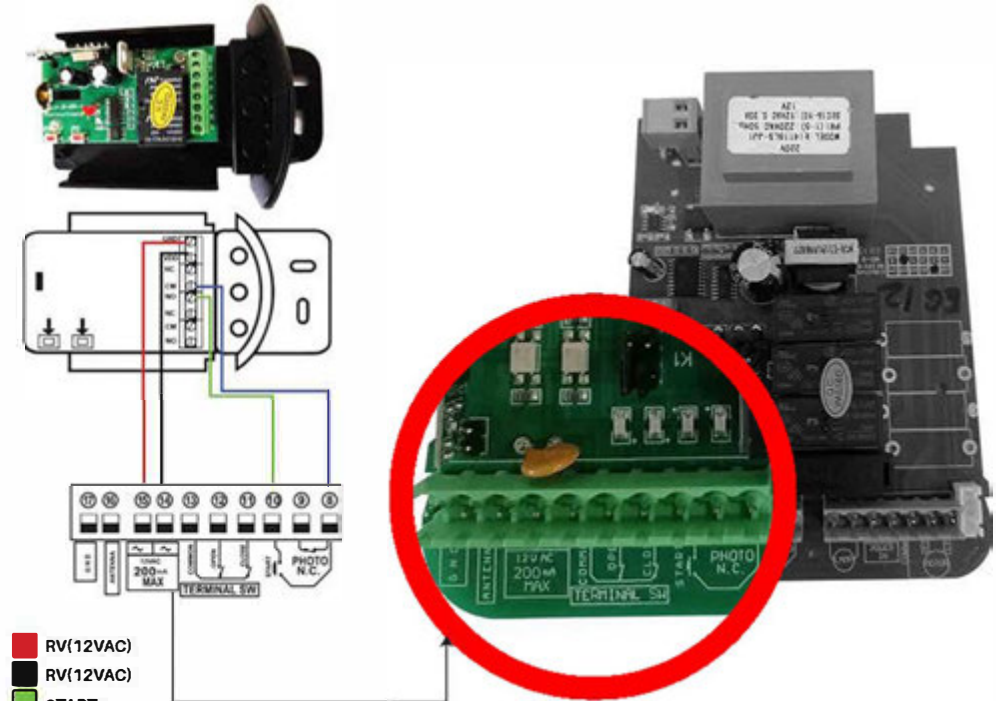
▲ EG-22A Control Board for Swing Gates with close-up view of wires-to-sockets connection.

FOR SL-22013

HOW TO CONNECT AN OUTDOOR RECEIVER ON EG-12

For Sliding Gate Openers SL-22013 model

- 1.) Connect the red wire from the **GND** socket in the outdoor receiver to the left **12VAC** socket in the **EG-12** control board. (15th socket on the control board)
- 2.) Connect the black wire from the **VDD** socket in the outdoor receiver to the right **12VAC** socket in the **EG-12** control board. (14th socket on the control board)
- 3.) Connect the blue wire from the **CM** socket in the outdoor receiver to the right **PHOTO.N.C.** socket in the **EG-12** control board. (8th socket on the control board)
- 4.) Lastly, connect the green wire from the **NO** socket in the outdoor receiver to the **START** socket in the **EG-12** control board. (10th socket on the control board)



- RV(12VAC)
- RV(12VAC)
- START
- COM

▲ EG-12 Control Board for Sliding Gates with close-up view of wires-to-sockets connection.



ALTECH JS-084

Outdoor Receiver Manual







FOR SL-2208

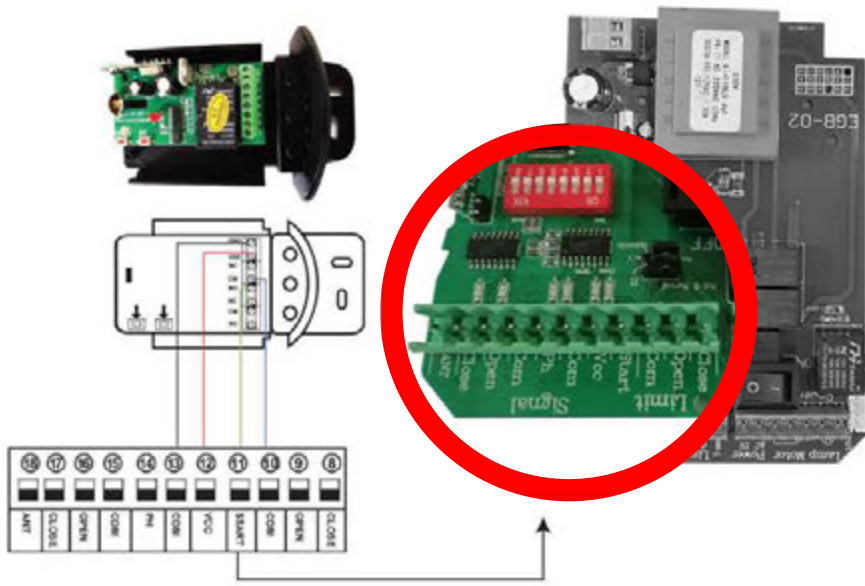
FOR SL-2202

FOR SL-2203

HOW TO CONNECT AN OUTDOOR RECEIVER ON EGB-02

For Sliding Gate Openers model SL-2208, SL-2202 & SL-2203

- 1.) Connect the blue wire  from the **CM** socket in the outdoor receiver to the **COM** socket in the **EGB-02** control board. (10th socket on the control board)
- 2.) Likewise, connect the green wire  from the **NO** socket in the outdoor receiver to the **START** socket in the **EGB-02** control board. (11th socket on the control board)
- 3.) Then, connect the red wire  from the **VDD** socket in the outdoor receiver to the second **VCC** socket in the **EGB-02** control board. (12th socket on the control board)
- 4.) Lastly, connect the the three black wire  from the the **GND** socket in the outdoor receiver (as shown in the diagram below) to the **COM** socket in the **EGB-02** control board. (13th socket on the control board)



 VCC
 COM
 START
 COM





▲ EGB-02 Control Board for Sliding Gates with close-up view of wires-to-sockets connection.

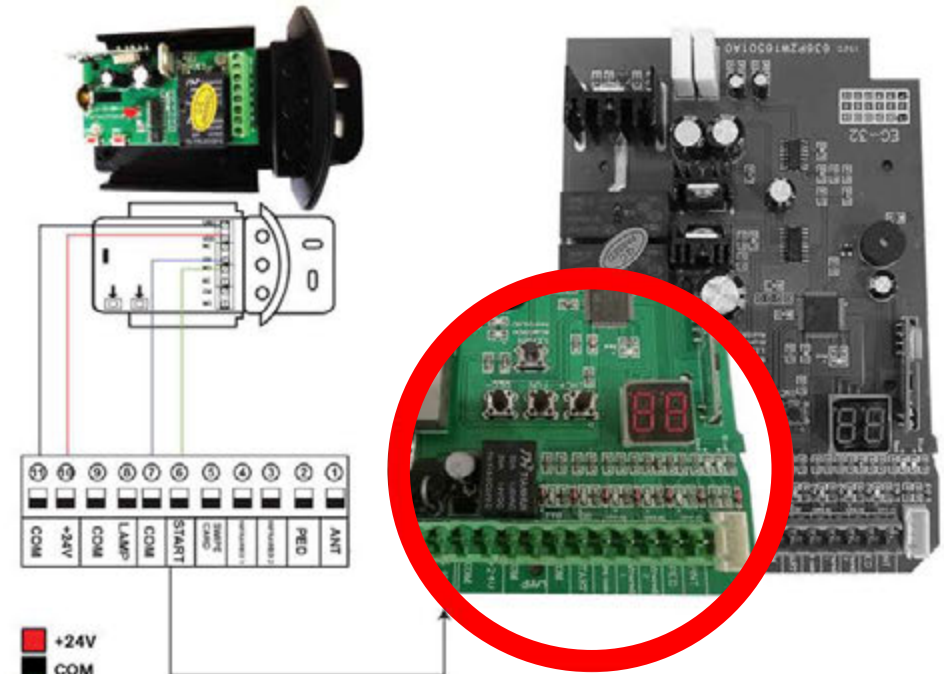
FOR SL-2405

FOR SL-2405A

HOW TO CONNECT AN OUTDOOR RECEIVER ON EG-32

For Sliding Gate Openers model SL-2405 & SL-2405A

- 1.) Connect the red wire  from the **VDD** socket in the outdoor receiver to the **+24V** socket in the **EG-32** control board. (10th socket on the control board)
- 2.) Connect the black wire  from the **GND** socket in the outdoor receiver to the **COM** socket in the **EG-32** control board. (11th socket on the control board)
- 3.) Connect the blue wire  from the **CM** socket in the outdoor receiver to the **COM** socket in the **EG-32** control board. (7th socket on the control board)
- 4.) Lastly, connect the green wire  from the **NO** socket in the outdoor receiver to the **START** socket in the **EG-32** control board. (6th socket on the control board)



 +24V
 COM
 START
 COM

▲ EG-32 Control Board for Sliding Gates with close-up view of wires-to-sockets connection.