

FLASHING LIGHT WITH ANTENNA
AL-06
USER MANUAL

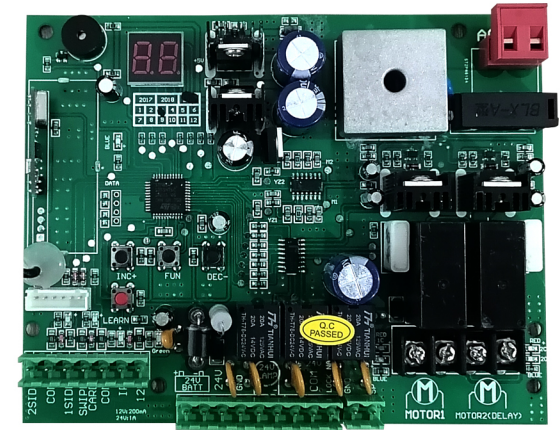


AVAILABLE CONTROL BOARDS FOR AL-06

EG-12

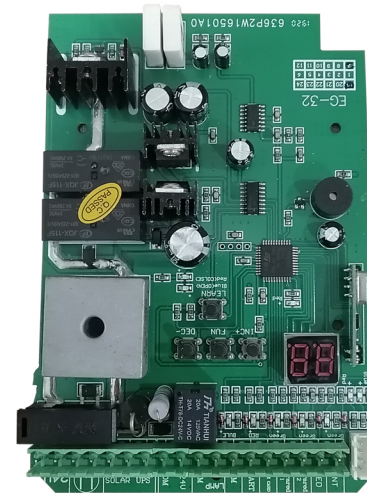


EG-22A

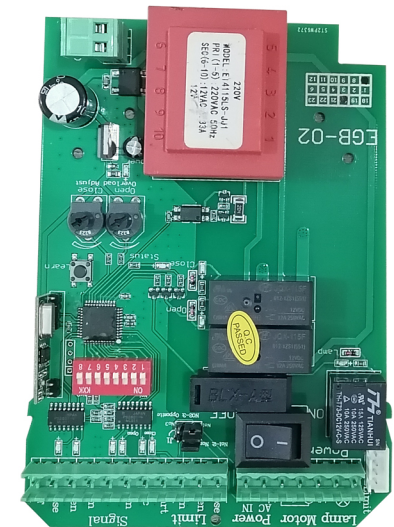


SPECIFICATIONS FOR AL-06 FLASHING LIGHT WITH ANTENNA

Working Voltage	12-265VAC /DC
Loading Capacity	3W
Flicker Frequency	1HZ
Working Temperature	-20°C~+60°C
IP Level	IP54
Installation	Vertical/Horizontal
Light Color	Yellow/Orange



EG-32



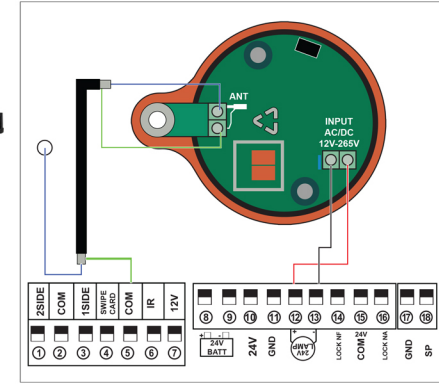
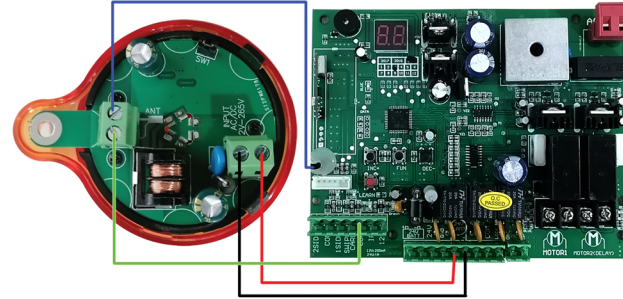
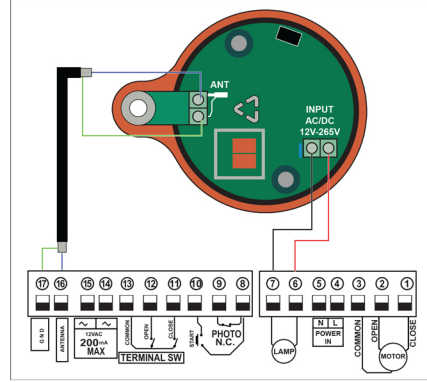
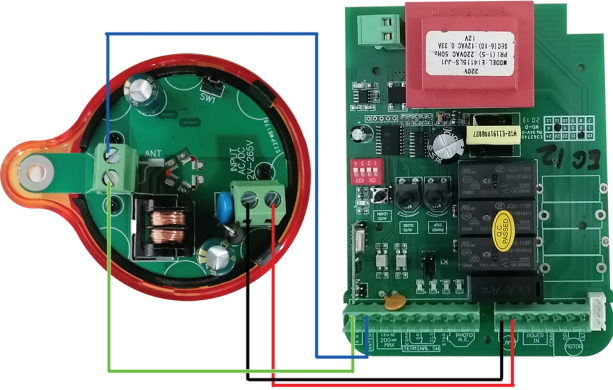
EGB-02

- LAMP (6)
- LAMP (7)
- ANTENNA
- GND

EG-12 (SL-22013)

- LAMP (6)
- LAMP (7)
- ANTENNA
- GND

EG-22A (ALL SW)



- LAMP (6)
- LAMP (7)
- ANTENNA
- GND

EG-32 (SL-2405)

- LAMP (6)
- LAMP (7)
- ANTENNA
- GND

EGB-02 (SL-2208,22013,2202)

