

# Manual of Flashing Light JD-08

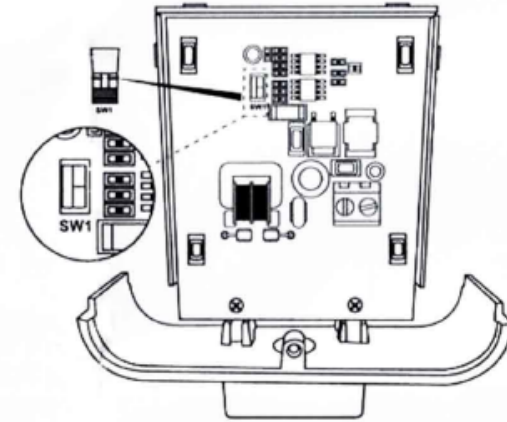
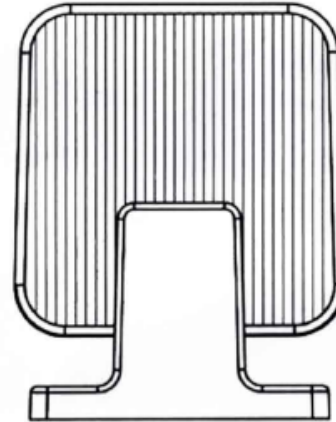
## I. Safety Installation Information

1. For security, please read the user manual carefully before initial operation.
2. Please be sure the power is off before connecting, the product is produced without fuse.
3. This system must not endanger life or property during the running failure or its security risks have been eliminated.

## II. Technical Data

1. Power Supply: 12-265V AC/DC
2. Power: 4W
3. Flicker Frequency: 1HZ
4. Working temperature: -20°C~+60°C

## III. Product Overview



# AL-08 FLASHING LIGHT

USER MANUAL

## IV. User Instruction

1. Connecting two power supply cables with the terminal.
2. Jump Switch "SW1" is for switching the light's LED on flickering or lighting.
3. While "SW1" is putting in the 2 pins, the light's LED will keep flickering.
4. While "SW1" isn't putting in the 2 pins, the light's LED will keep lighting.

## V. Installation

1. Set up the power supply cables.
2. Opening the flashing light Fig 1.
3. Installing the expansion tube into the 2 holes, fix them with screw M4\*32 Fig 2.
4. Installing the expansion tube into the 2 holes, fix them with screw M4\*32 Fig 3.

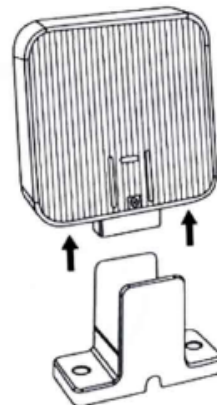


Fig 1

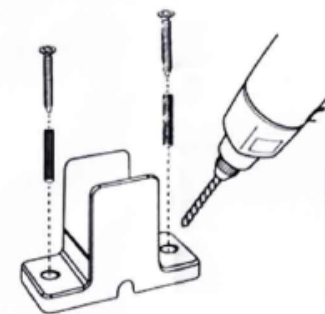


Fig 2

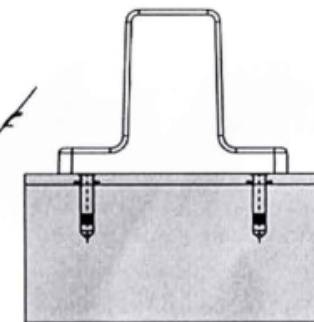


Fig 3

@Altech Autogate | @Altech Enterprise





**YOUR KEY TO AUTOMATION** ↕

**ALTECH AUTOGATE INT. PHILIPPINES INC.**  
B6 L28 Aphrodite St., Villa Olympia 6  
San Pedro, Laguna 4023

**CONTACT US:**

☎ +63 917 870 9928  
+63 917 182 0156  
☎ (02) 8398-5669

✉ autogate.ph@gmail.com  
🌐 www.altech.ph

5. Unscrew the small screw from the yellow cover and black base, and take off the yellow cover as the direction showed Fig 4.

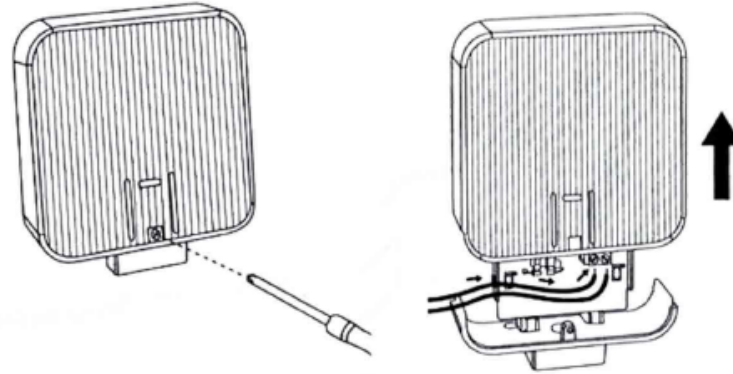


Fig 4

6. Connecting the power supply cables with terminal, and run them coming from the control panel through the black base's hole Fig 5.

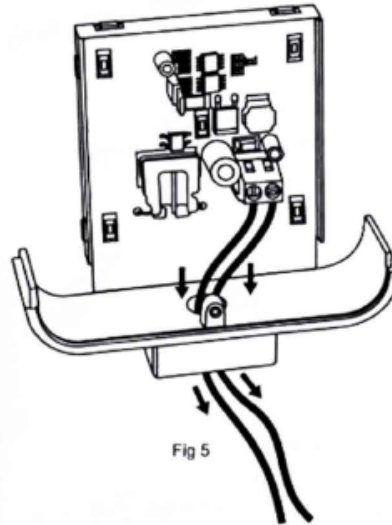


Fig 5

7. Fix the black base and yellow cover with crew the Ø2.3\*8, run the cables coming from the black base through the holder's hole Fig 6.

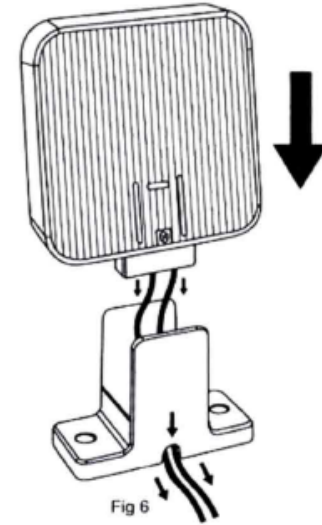


Fig 6

8. Fasten the yellow cover with the black holder, finish the installation Fig 7.

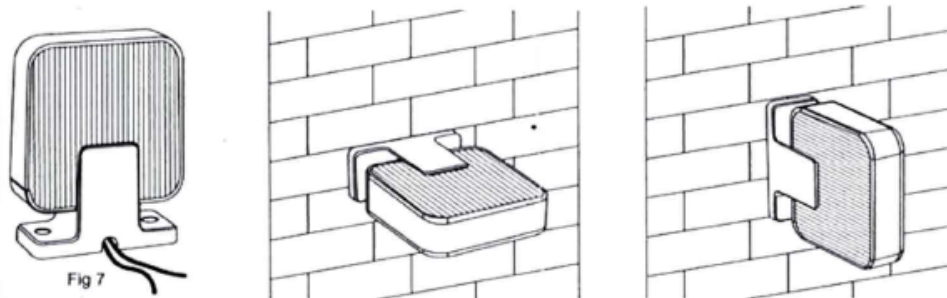


Fig 7