



# ALTECH JS-092






## Indoor Receiver Manual



### FOR ALL SWING GATE OPENERS

#### HOW TO CONNECT AN INDOOR RECEIVER ON EG-22A

All Swing Gate Openers (SW-01, SW-01A, SW-02, SW-02L, SW-02SL, SW-03, SW-03A, SW-03L, SW-04)

- 1.) Connect the yellow wire  to the **2 SIDE** socket in the **EG-22A** control board.  
(1st socket on the control board)
- 2.) Connect the white wire  to the first **COM** socket.  
(2nd socket on the control board)
- 3.) Likewise, connect the green wire  to the **1 SIDE** socket  
(3rd socket on the control board)
- 4.) Then, connect the black wire  to the second **COM** socket.  
(5th socket on the control board)
- 5.) Lastly, connect the red wire  to the **12V** socket.  
(7th socket on the control board)



-  2 SIDE
-  COM
-  1 SIDE
-  COM
-  12V

▲ EG-22A Control Board for Swing Gates with close-up view of wires-to-sockets connection.





### FOR SL-2208

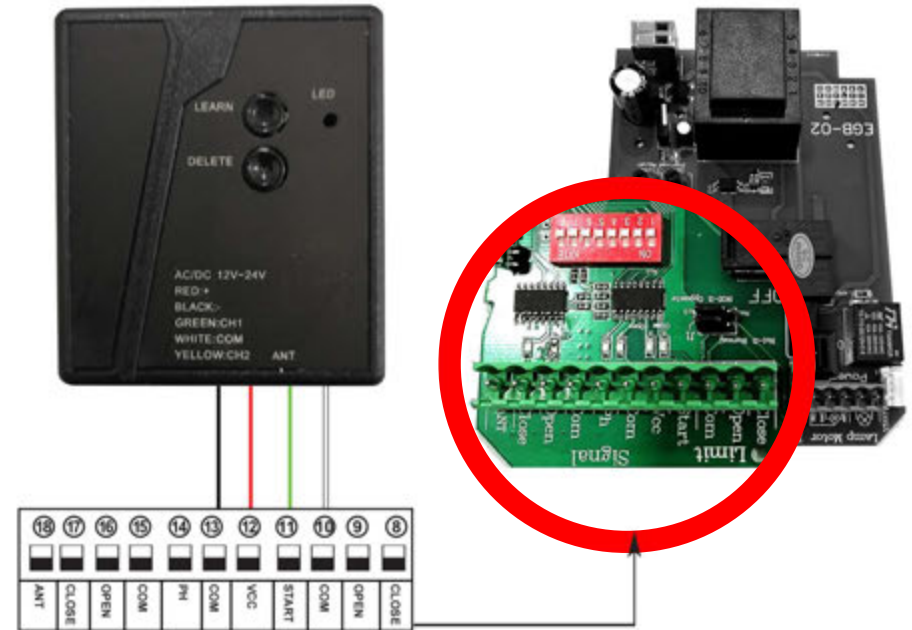
### FOR SL-22013

### FOR SL-2202

#### HOW TO CONNECT AN INDOOR RECEIVER ON EGB-02

For Sliding Gate Openers SL-2208, SL-22013, and SL-2202 models

- 1.) Connect the white wire  to **COM** socket in the **EGB-02** control board.  
(10th socket on the control board)
- 2.) Likewise, connect the green wire  to the **START** socket.  
(11th on the control board)
- 3.) Then, connect the red wire  to the **VCC** socket.  
(12th socket on the control board)
- 4.) Lastly, connect the black wire  to the **COM** socket.  
(13th socket on the control board)



-  2 SIDE
-  COM
-  12V
-  COM

▲ EGB-02 Control Board for Sliding Gates with close-up view of wires-to-sockets connection.



# ALTECH JS-092

## Indoor Receiver Manual

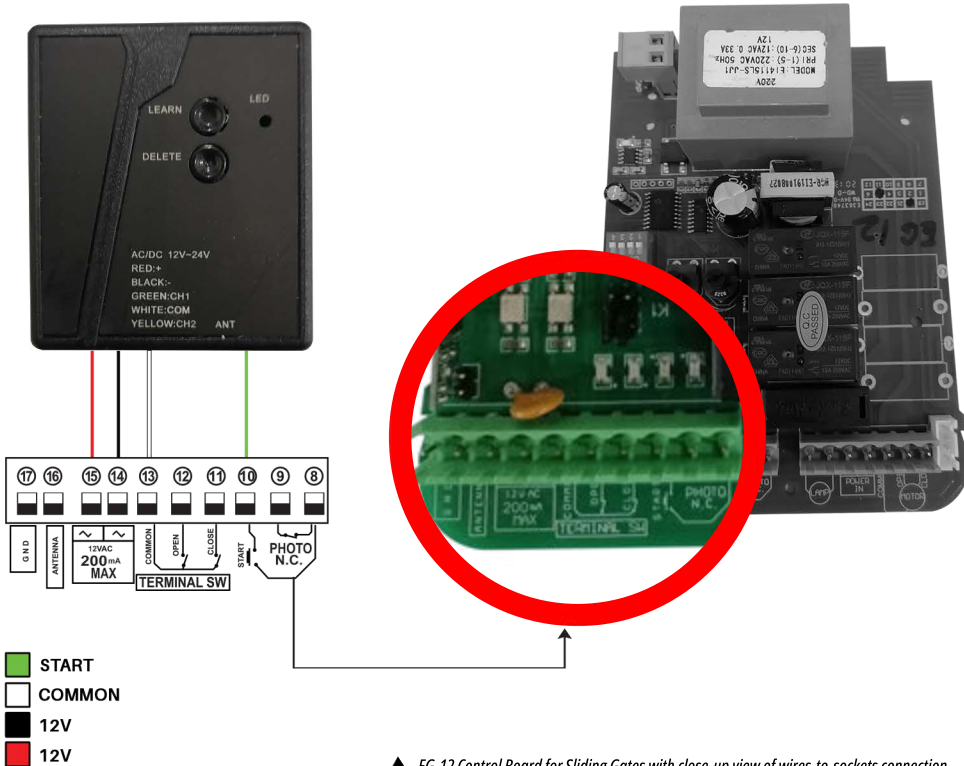


FOR SL-22013

### HOW TO CONNECT AN INDOOR RECEIVER ON EG-12

For Sliding Gate Opener SL-22013 model only.

- 1.) Connect the green wire ● to **START** socket in the **EG-12** control board.  
(10th socket on the control board)
- 2.) Likewise, connect the white wire ○ to the **COMMON** socket  
(13th socket on the control board)
- 3.) Then, connect the black wire ● to the right **12VAC** socket.  
(14th socket on the control board)
- 4.) Lastly, connect the red wire ● to the left **12VAC** socket.  
(15th socket on the control board)



▲ EG-12 Control Board for Sliding Gates with close-up view of wires-to-sockets connection.

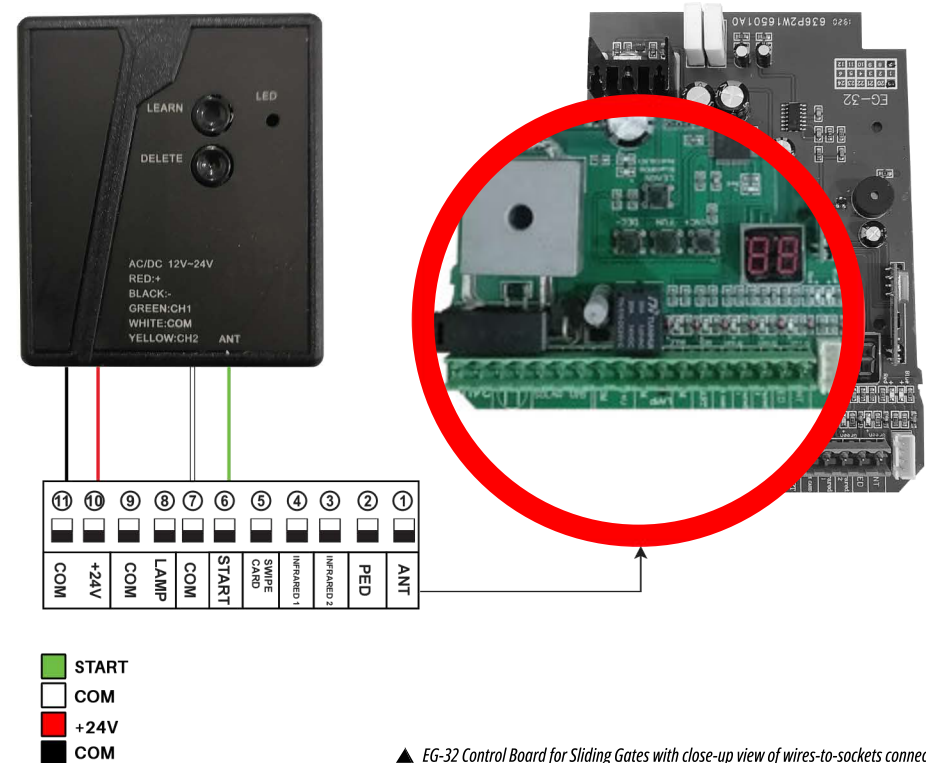
FOR SL-2405

FOR SL-2405A

### HOW TO CONNECT AN INDOOR RECEIVER ON EG-32

For Sliding Gate Openers SL-2405 and SL-2405A models

- 1.) Connect the green wire ● to **START** socket in the **EGB-32** control board.  
(6th socket on the control board)
- 2.) Likewise, connect the white wire ○ to the **COM** socket.  
(7th on the control board)
- 3.) Then, connect the black wire ● to the **+24V** socket.  
(10th socket on the control board)
- 4.) Lastly, connect the red wire ● to the **COM** socket.  
(11th socket on the control board)



▲ EG-32 Control Board for Sliding Gates with close-up view of wires-to-sockets connection.