



YOUR KEY TO AUTOMATION 



# EL-01B

ELECTRIC LOCK FOR SWING GATE  
USER MANUAL


**ALTECH AUTOGATE INT. PHILIPPINES INC.**  
B6 L28 Aphrodite St., Villa Olympia 6  
San Pedro, Laguna 4023

@Altech Autogate | @Altech Enterprise



 +63 917 870 9928  
+63 917 182 0156

 (02) 8398-5669

 autogate.ph@gmail.com

 www.altech.ph



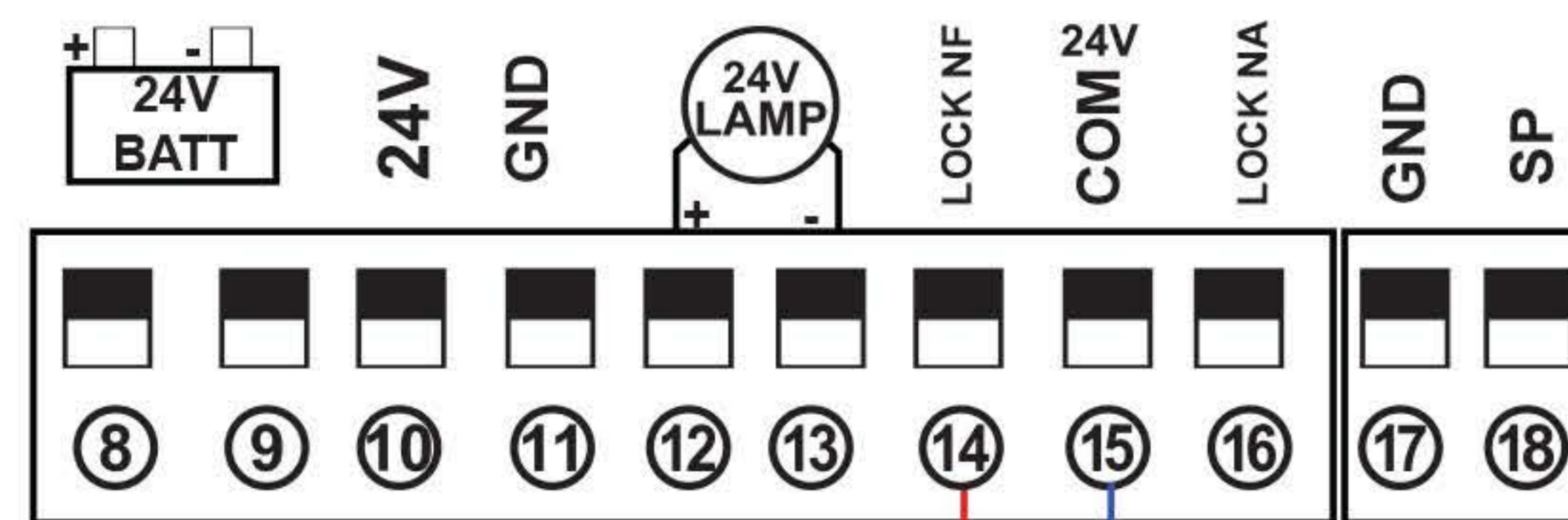
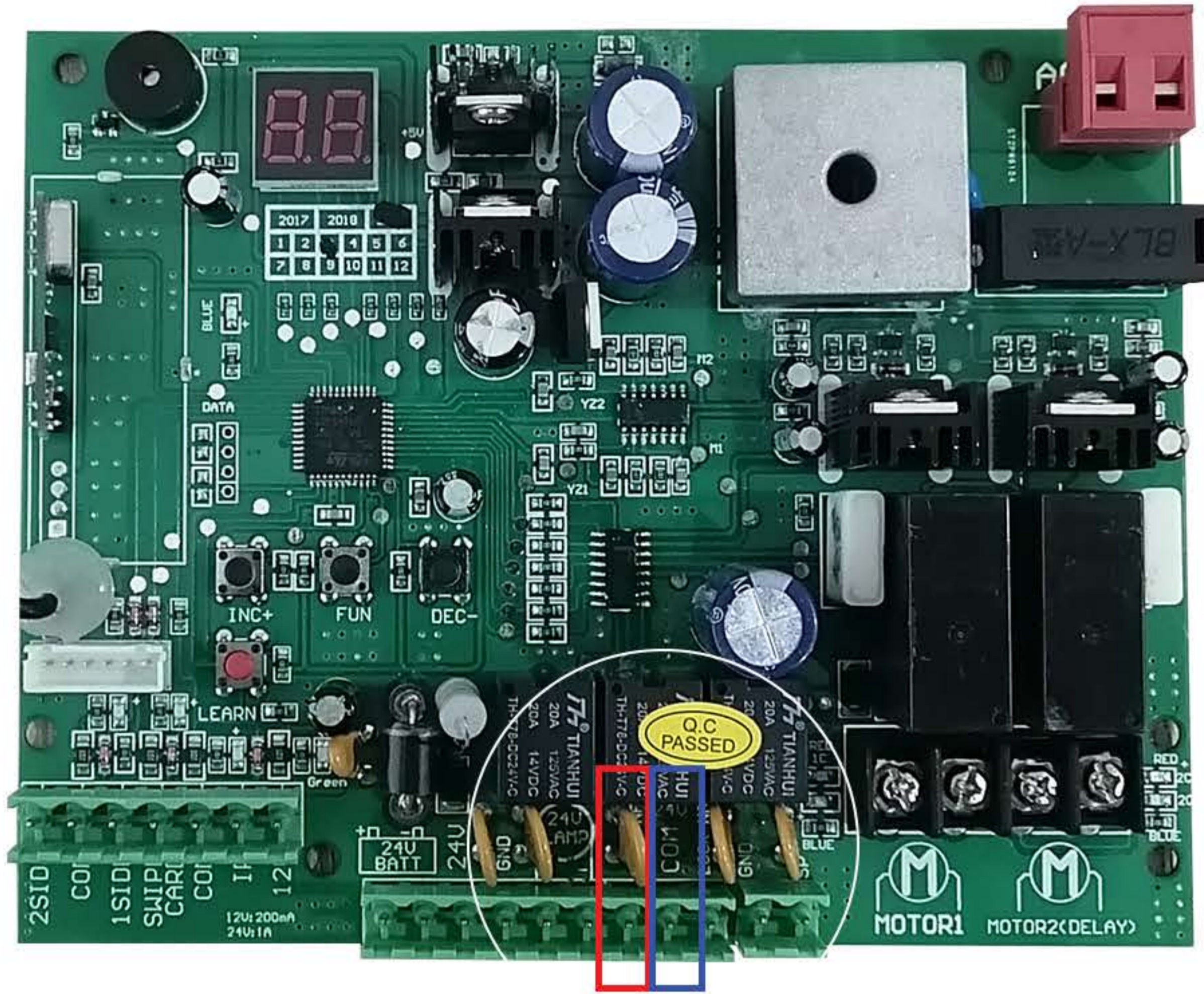




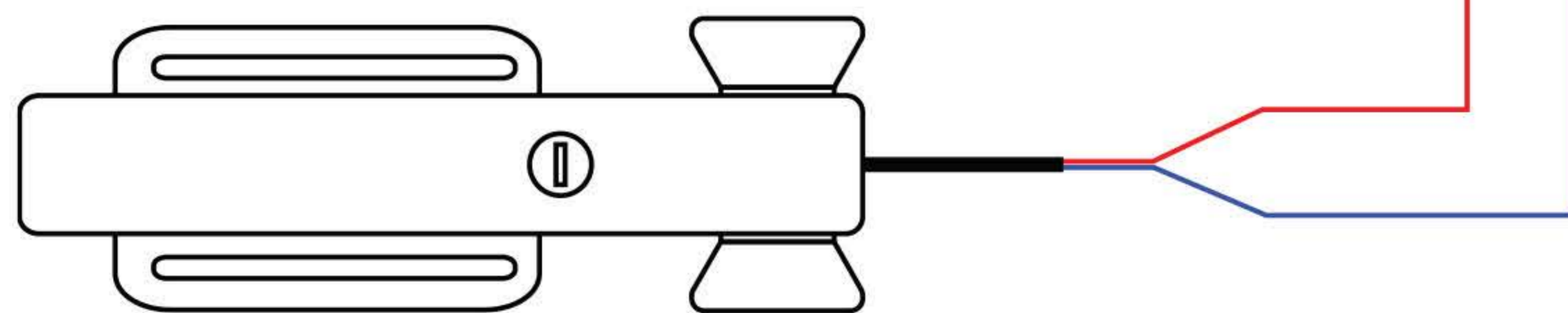
## CONNECTING THE LOCK TO THE GATE OPENER CONTROL BOX (EG-22A)

STEP 1. Turn off the power of control board.

STEP 2: Connect wire from the lock to terminal 14 (LOCK NF) and 15 (24V COM) on the control board. Use a small flat tip screwdriver to loosen the screw on the terminal. Insert the wire and then tighten down the screw.



■ Positive (+)  
■ Negative (-)



## TECHNICAL SPECIFICATION

Rated Voltage: DC 12-24V

Materials: Cast-iron

Surface: Powder Coating

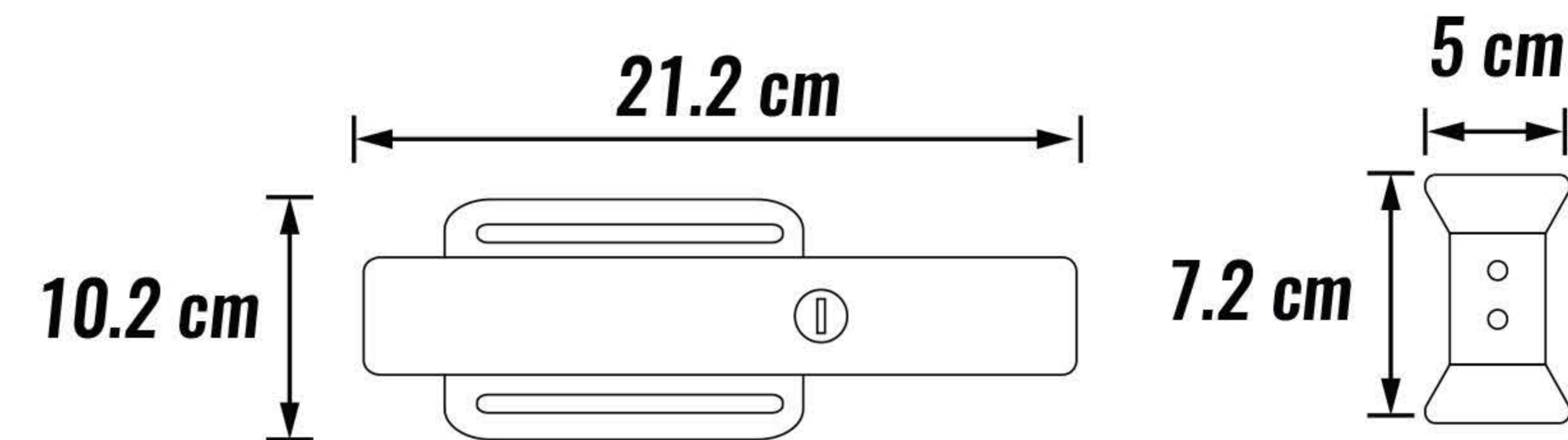
Manual Override: Key Operated padlock

Usage: Swing Gate Can be installed on left or right gate

Pulse to Open Lock: 1-3 sec

Operating Current: 2.5A

## MEASUREMENT



## PARTS

**PLEASE NOTE :** Because of the various mounting applications, no mounting hardware is provided with the Automatic Gate Lock. All necessary mounting hardware can be obtained from your local hardware store; all other hardware is provided.

This manual shows two examples of the most common installations, and should provide insight into most other application

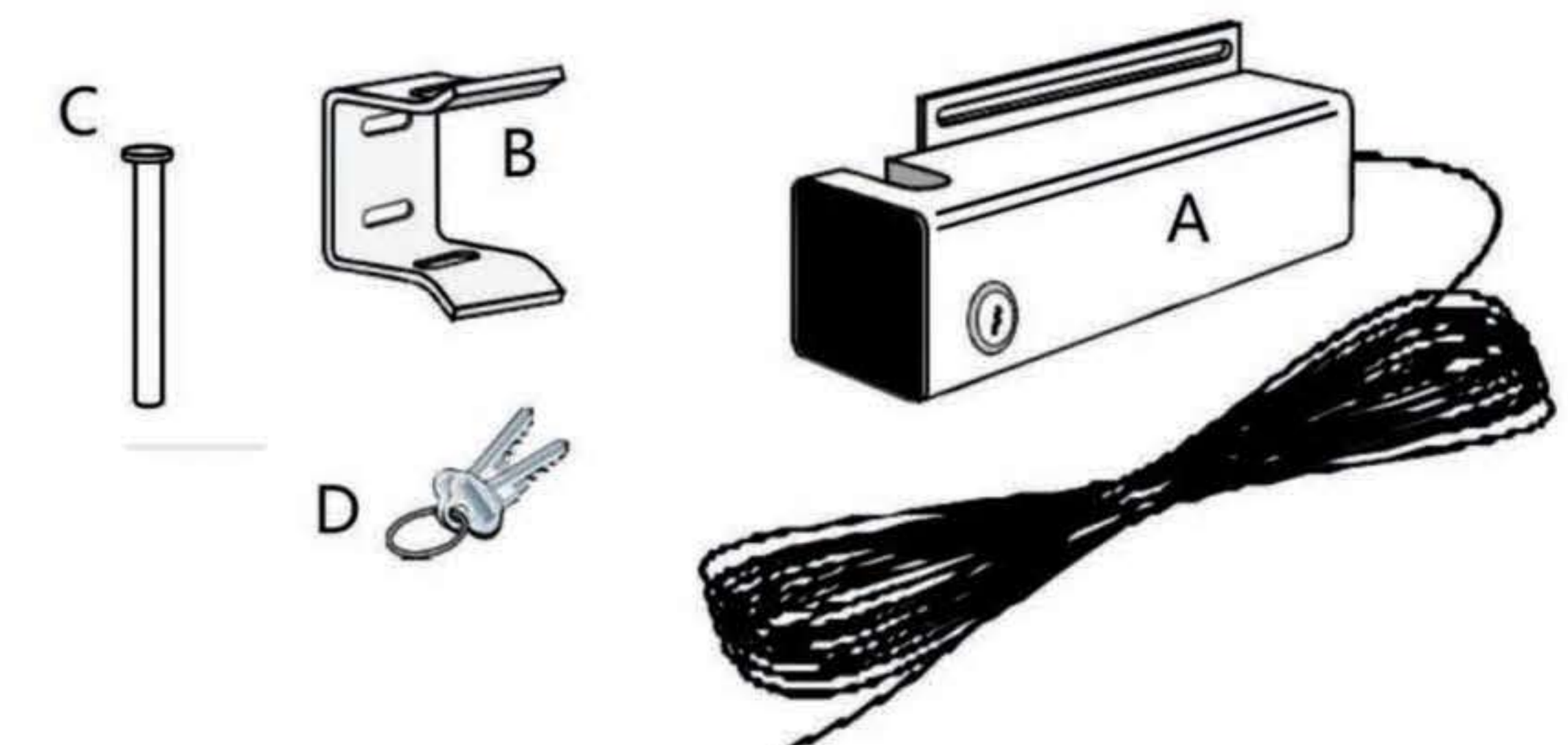
**Be sure you have all the parts:**

A - Lock with 20' of low voltage wire

B - Lock Receiver

C - Clevis Pin

D - Lock Keys (for manual release)





# INSTALLING THE GATE LOCK

**NOTE:** The Automatic Gate Lock can be installed on single and dual gate systems. Use the app instructions for the system you have - **SINGLE GATE** (below) or **DUAL GATES** (below)

## Single Gate Installation

Disconnect gate opener by removing hairpin clip and clevis pin from the gate bracket end of the open. Disconnecting the opener will allow the gate to swing freely during installation of the gate lock.

**Step 1:** With the gate in the closed position, determine the best location for the lock and the lock receiver. The lock and receiver must be level and aligned with the opener. Also, the lock should have a solid surface or cross member to provide stability.

**Step 2** Clamp receiver and lock together (with receiver pin hole and lock slot aligned) to the gates, mark their positions to drill receiver bolts (Illustration B and C, page 3). The receiver must be mounted with carriage bolts, not U-bolts, to allow lock to seat properly.

**Step 3:** Recheck the lock's position and alignment, then mark its position for drilling holes. Drill the hole gate supports through the slots in the lock bracket. U-bolts and saddles can be used to mount on chain link gate supports. Secure the lock to the gate. Install clevis pin and locking cap by placing clevis pin through slots in lock receiver and hammering the clevis pin into the locking plug, secure the lock bracket and check the alignment again.

