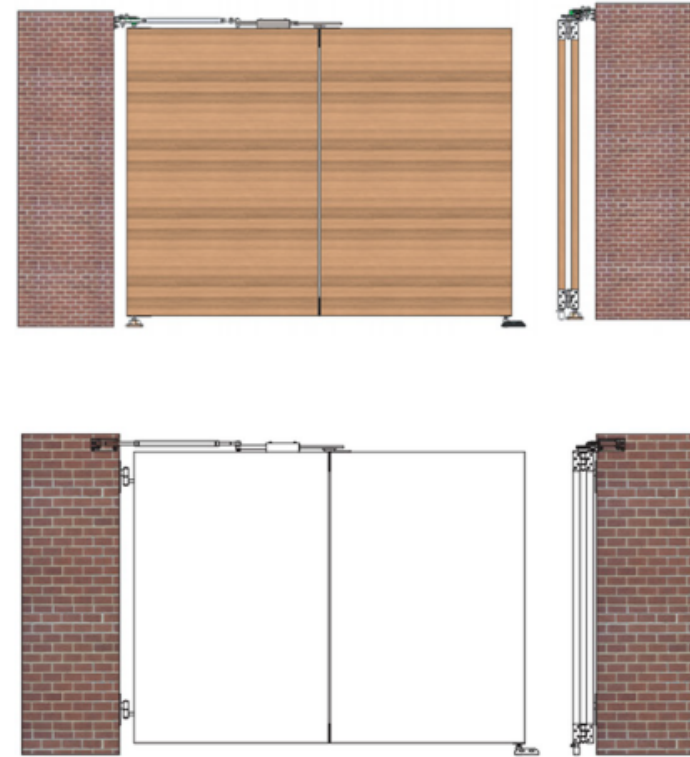




YOUR KEY TO AUTOMATION ↔



ZDM-416

Bi-Folding Hardware Kit For Swing Gate
INSTALLATION MANUAL

ALTECH AUTOGATE INT. PHILIPPINES INC.
B6 L28 Aphrodite St., Villa Olympia 6
San Pedro, Laguna 4023

@Altech Autogate | @Altech Enterprise



☎ +63 917 870 9928
+63 917 182 0156

☎ (02) 8398-5669

✉ autogate.ph@gmail.com

🌐 www.altech.ph

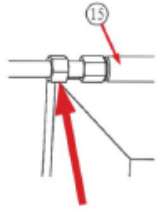
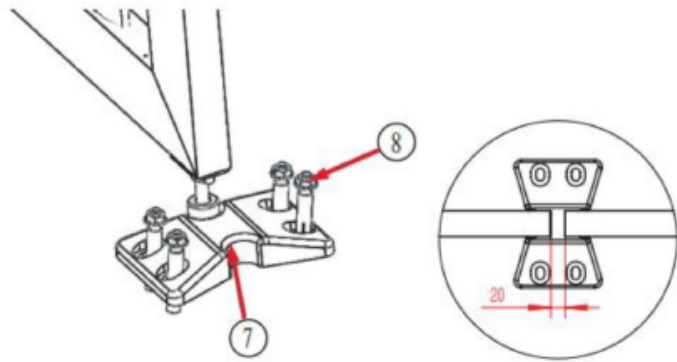


Fig 12

9. Close the door to the correct position, mark the position of the rubber stopper hole, and drill the hole with a $\phi 10$ drilling bit. See Fig 13



Accessories List



- ① Folding door rotating mechanism x 2 ⑨ ϕ 8 washer x 8
- ② Fixing base 1 x 2 ⑩ ϕ 10 washer x 2
- ③ Fixing base 2 x 2 ⑪ ϕ 12 washer x 2
- ④ Adjusting washer x 6 ⑫ M8 locknut x 8
- ⑤ Pin x 2 ⑬ M10 locknut x 2
- ⑥ Guide roller x 2 ⑭ M12 locknut x 2
- ⑦ Rubber stopper x 1 ⑮ M8 carriage screws x 8
- ⑧ 8*80 expansion bolt x 12 ⑯ M4.2*32 screw x 58
- ⑰ Connection rod x 2

Installation Tools Reference

- ① Electric drill ② Percussion drill ③ Adjustable spanner
- ④ ϕ 3.2, ϕ 10, ϕ 13 Drilling bit each ⑤ Phillips screwdriver

Important Notes

1. The kit hardware is ok to installed on the top and bottom of gate. The installation manual is only to describe how to do installation on the bottom of gate. Same operation for installing the kit on the top of the gate.
2. With this hardware kit, you will also need to install automatic swing gate

7. Install the bottom guide roller

Use ϕ 3.2 and ϕ 13 drilling bits to drill holes at the bottom of the 2nd door according to the following dimensions. See Fig 10

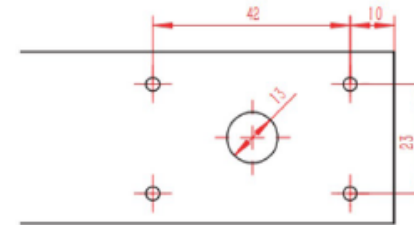


Fig 10

Install the guide roller. See Fig 11

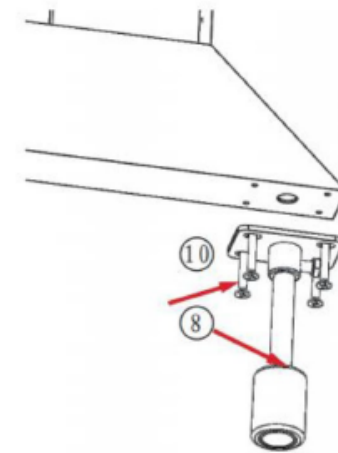


Fig 11

8. After installation, tighten the nut of the connection rod. See Fig 12

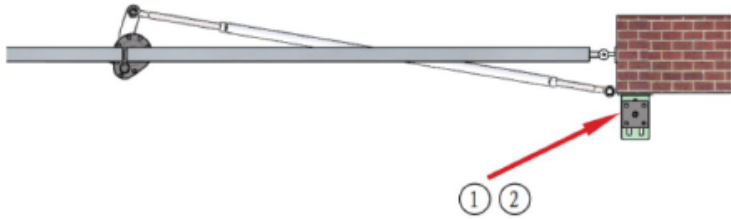


Fig 7

5. After the rear bracket is installed on the wall, adjust the door opening angle and tighten the screws. See Fig 8

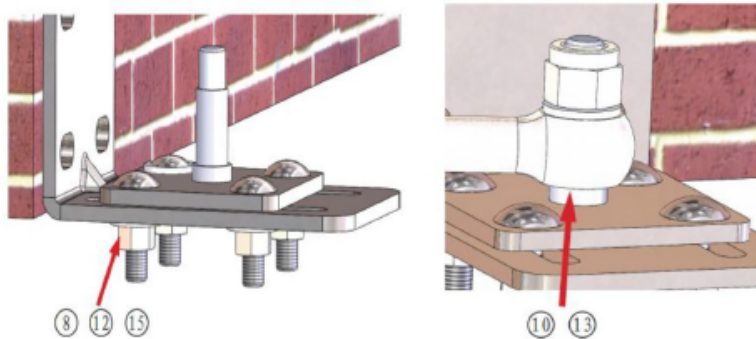


Fig 8

6. Test the folding effect of the door, which can be adjusted by adjusting the length of the connection rod, the fixing base, etc. See Fig 9



Fig 9

opener together.

3. The door's connection hinge needs to be reinforced. This accessory does not come with it and needs to be brought by yourself.

4. When in installation, please also consider the actual installation situation.

How To Install

1. Install the folding door rotating mechanism ① and adjusting washer ④ on the 1st door. See Fig 1

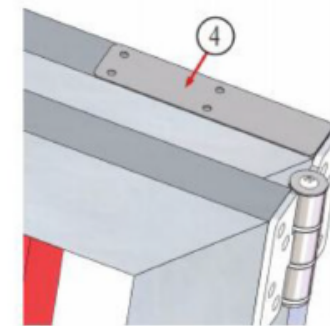


Fig 1

The output end of the rotating mechanism should face the direction of the hinge and be as concentric with the hinge axis as possible. Select 1-3pcs adjusting washer according to the door. See Fig 2

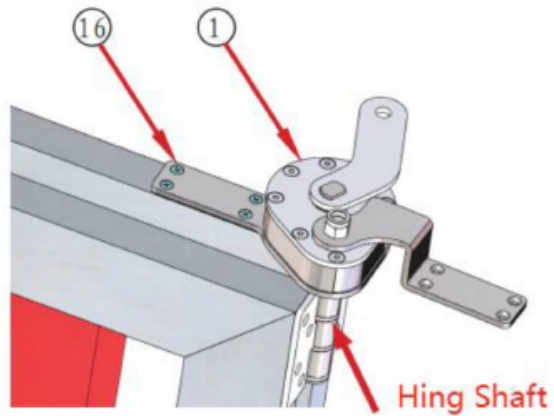


Fig 2

The effect after installation of the rotating mechanism. See Fig 3

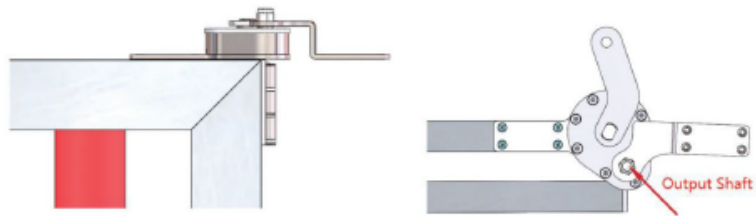


Fig 3

2. Install the folding door rotating mechanism ① and adjusting washer ④ on the 2nd door. See Fig 4 and Fig 5

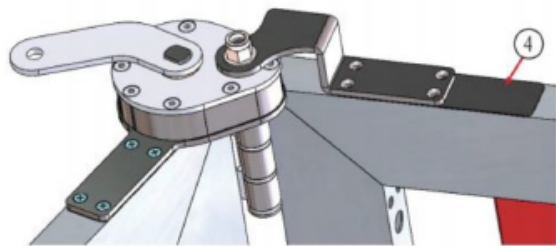


Fig 4

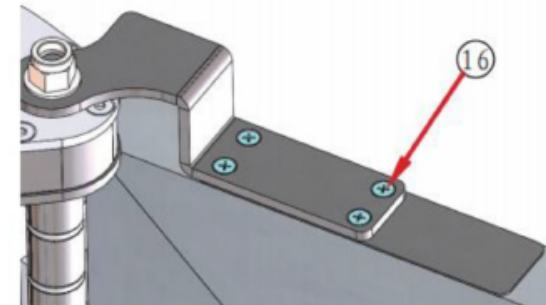


Fig 5

3. Adjust the length of the connection rod and install it on the rotating mechanism. See Fig 6

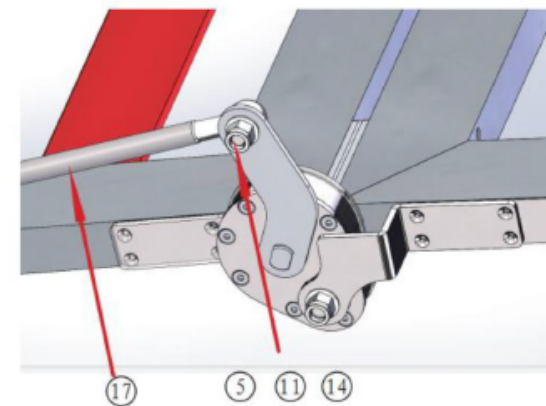


Fig 6

4. Find a suitable mounting location on one side of the shaft and install the rear bracket. See Fig 7