

PUSH BUTTON FOR GATE OPENERS  
PB-1012  
USER MANUAL

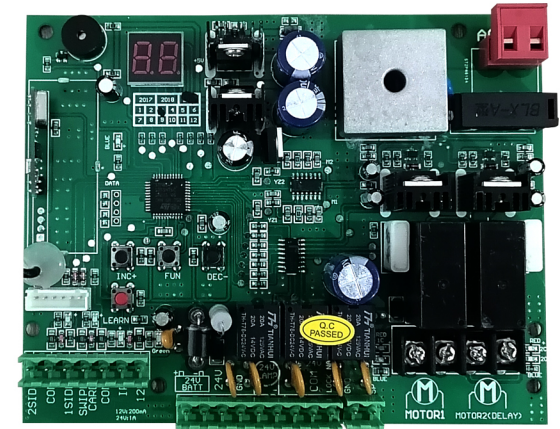


AVAILABLE CONTROL BOARDS FOR PB-1012

EG-12

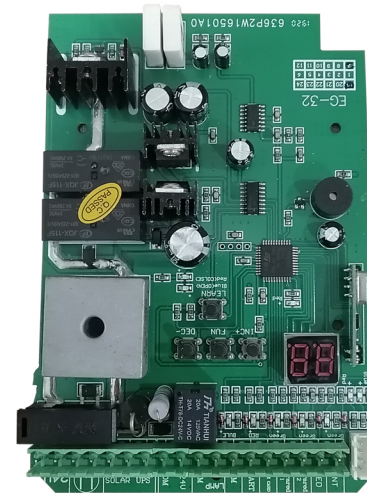


EG-22A

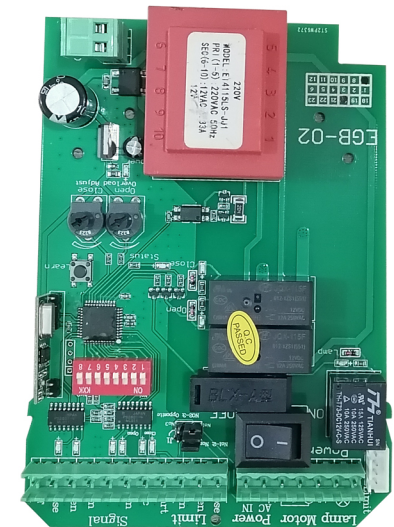


SPECIFICATIONS FOR PB-1012 PUSH BUTTON

Dimensions	86*86*20mm
Standard Structure	Fire-Proof Material
Current Rating	3A, 26VDC Max
Operating Temperature	-10°C~+55°C
Mechanical Life	1,000,000 Tested
Output Contact	NC/COM
Panel Material	Fire-Proof Material



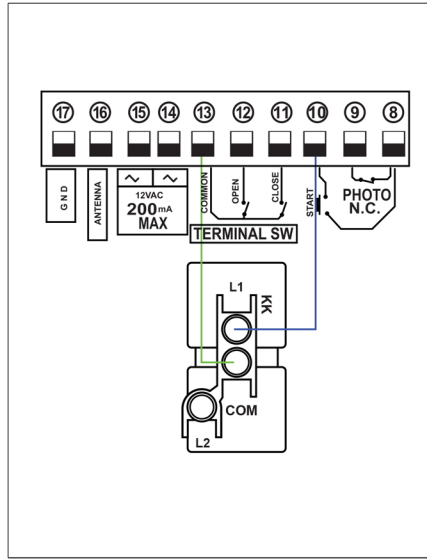
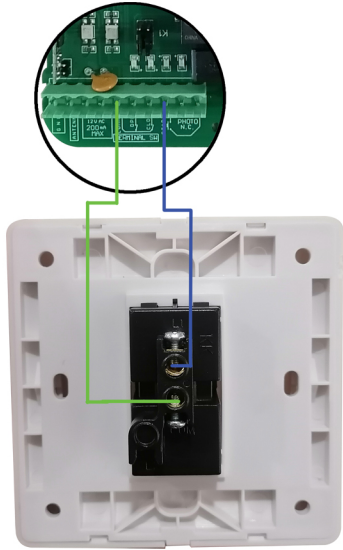
EG-32



EGB-02

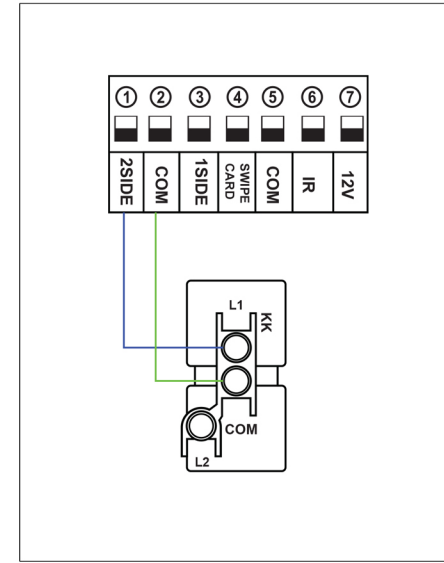
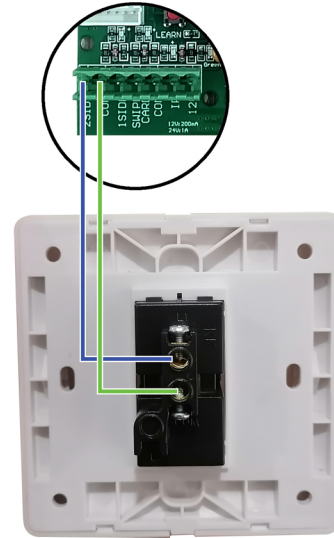
COM  
START

# EG-12 (SL-22013)



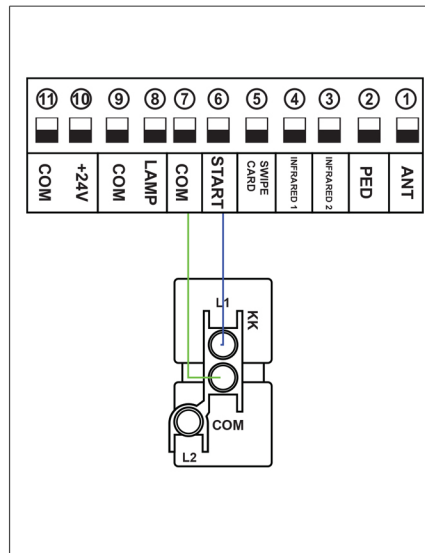
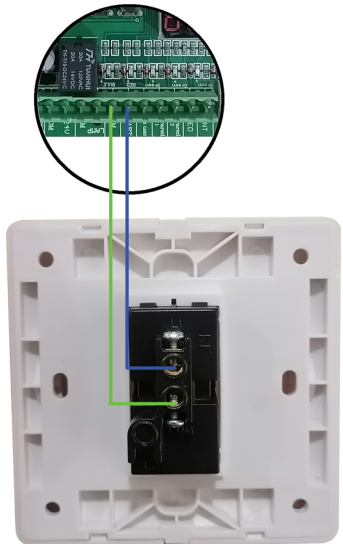
COM  
2SIDE

# EG-22A (ALL SW)



COM  
START

# EG-32 (SL-2405)



COM  
START

# EGB-02 (SL-2208,22013,2202)

